

# SIT

**Valve Technology**

**Walter Schumacher  
Impuls-Technik GmbH**

Reessweg 7

74626 Bretzfeld - Bitzfeld

**series 255**

**with sealing membrane**

phone +49 (0) 79 46 – 91 30 - 0  
fax +49 (0) 79 46 – 91 30 - 10  
email [info@sit-ventile.de](mailto:info@sit-ventile.de)  
internet [www.sit-ventile.de](http://www.sit-ventile.de)



tax ID DE 166 067 040

**suitable for all neutral gases and liquids up to 21mm/s viscosity max.**

threads process connection G1/4 – G1/2  
 nominal width 3 – 10 mm  
 pressure range 500 mbar – 2 bar abs.  
 pressure difference optional  
 protection class IP00 (with plug-In sockets IP65 EN 60529)  
 solenoid coil as per DIN EN 173301-803 (prev. DIN 43 650)



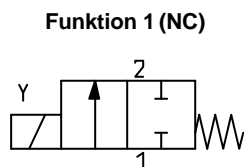
pic. DN 8 – 10 mm

### technical data

material valve body 1.4305 (stainless steel)  
 1.4571 (stainless steel)  
 membrane material FPM (Viton)  
 EPDM (Äthylen Propylen)

### EPDM sealing with FDA authorization

fitting position as specified by customer  
 (ideally vertical)  
 operating cycles 240/min. (air)



**mechanical or electrical position indication on request**

### electrical data

Input supply voltage 24 V DC  
 230 V 50/60 Hz  
 another input supply voltage on request  
 power consumption DC 24 Watt  
 AC Anzug 35 VA  
 Betrieb 27 VA  
 electr. connection tags  
 2-pin + ground  
 IP00

Connection by plug-In socket IP65

input supply voltage 230 V 50/60 Hz only  
 with apparatus plug with integrated  
 rectifier

thermal class (100°)  
 as per VDE580

on-time 100% duty ratio

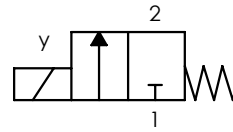
perm. volt. fluctuation ± 10%

perm. frequency fluc. ± 5%

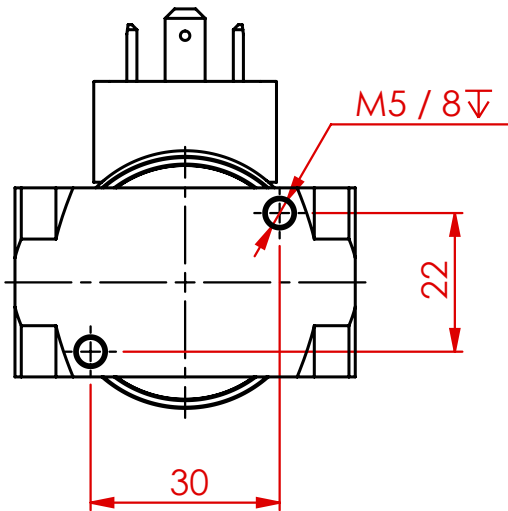
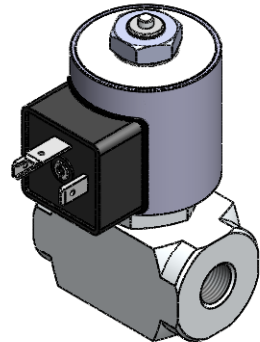
### performance

nominal width (DN) mm	pressure max. bar
3 – 6	500 mbar - 2 bar absolute
8 – 10	500 mbar – 2 bar absolute

2/2 way valve normally closed)  
nominal width (DN) 3 - 6 mm

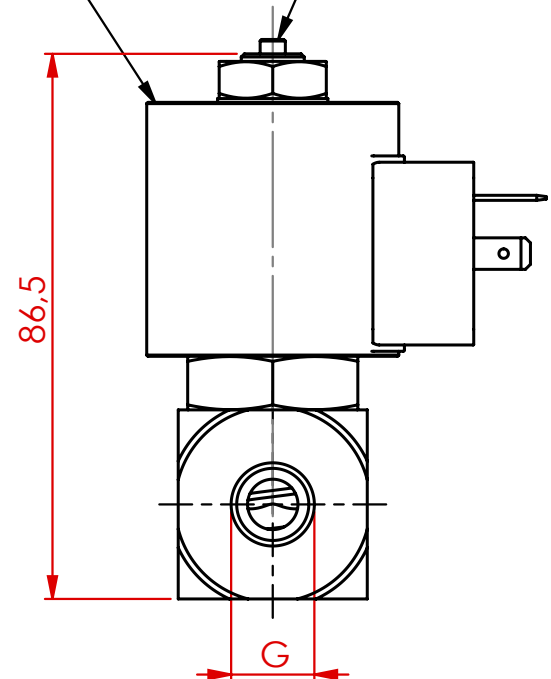
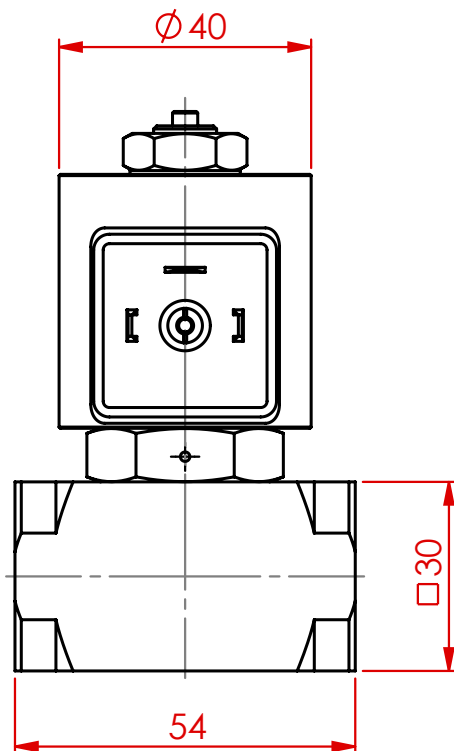


function 1 (nc)



coil cotinuously adjustable

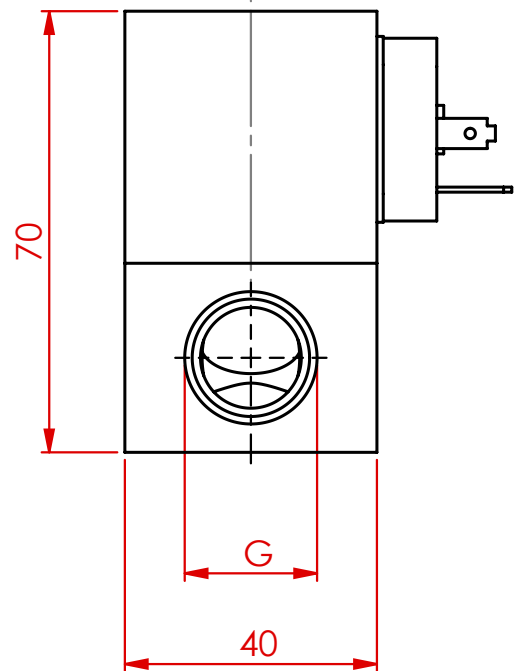
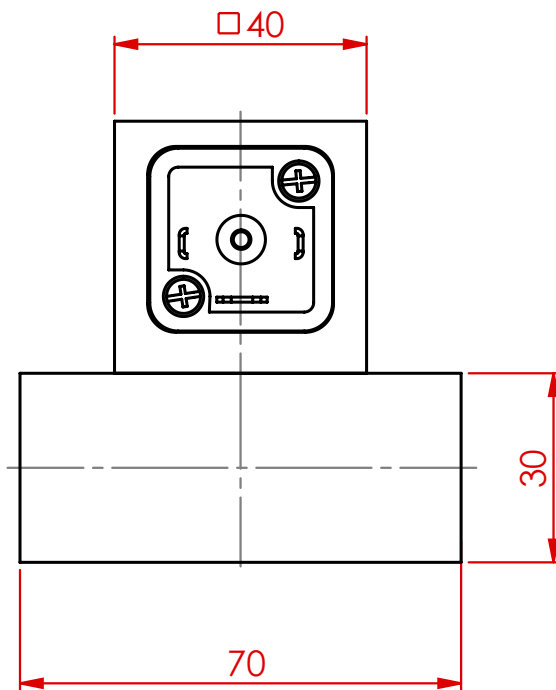
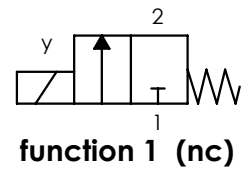
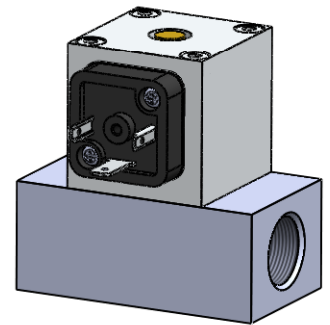
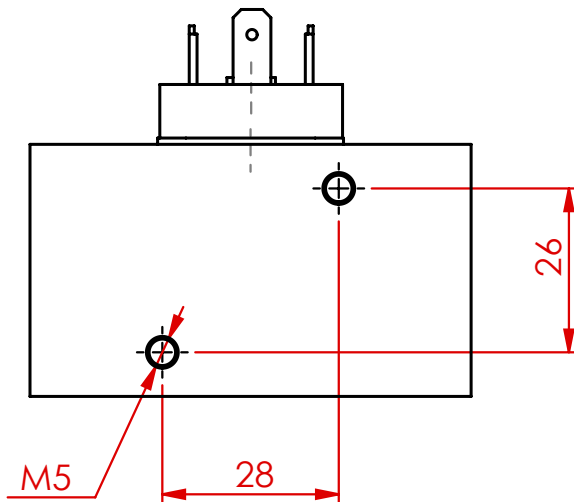
position telltale mechanical or electrical (accessoires)



process connection G: G1/8 - G3/8

we can deliver customized valve bodies with integrated pipe connections, conical thread, metric thread as well as connections to your specific requirements

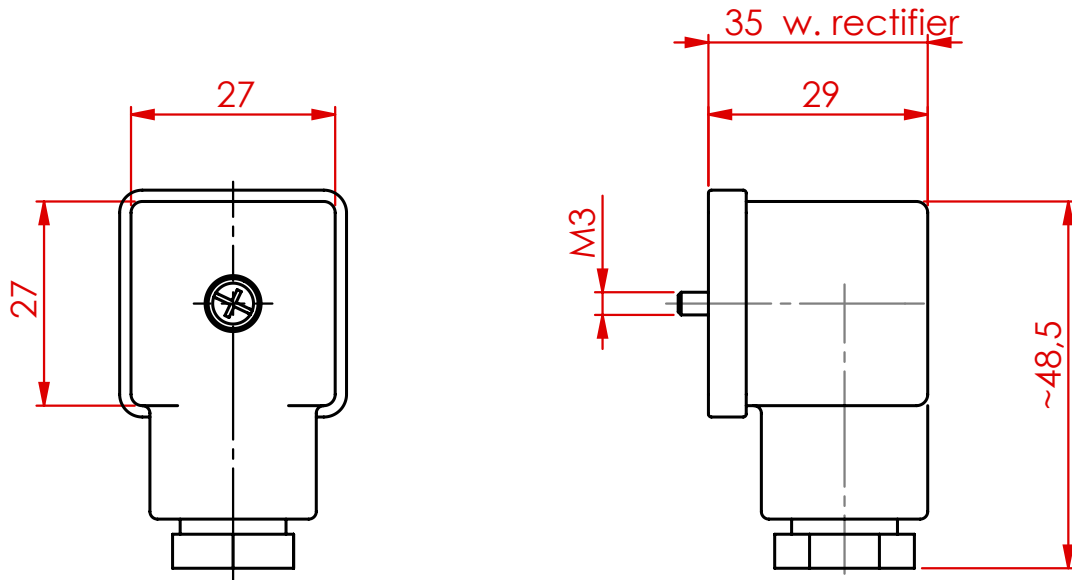
2/2 way valve nc (normaly closed)  
 nominal width (DN) 8 - 10 mm



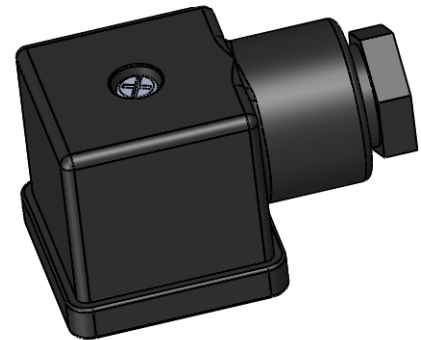
process connection G: G1/4 - G3/8

we can deliver customized valve bodies with integrated pipe connections, conical thread, metric thread as well as connections to your specific requirements

## Plug-In Sockets



Number of poles	2 + ground
Nominal voltage AC/DC	250 V/300 V
Nominal current	16 A
operating current	6 A
transient resistance	< 4mΩ
Wire cross-section	1,5 mm <sup>2</sup>
Supressor circuit	none
Casing	Polyamide
Cable screw connection	M 16x1,5
Cable diameter	4,5 - 7 mm
Protection	IP 65 to EN 60529 (befor DIN 40050)
Insulation	group C to VDE 110
Colour	black
Ambient temperature	- 10°C / + 60°C



**part ID: 000.12.00021 f. AC with integrated rectifier**  
**000.12.00022 AC/DC**  
**000.12.00027 with LED f. 24 V DC**

Without cable - with cable on request

