

SIT

Valve Technology

**Walter Schumacher
Impuls-Technik GmbH**

Reessweg 7

74626 Bretzfeld - Bitzfeld

**series 248 – 249
servo-valve**

phone +49 (0) 79 46 – 91 30 - 0
fax +49 (0) 79 46 – 91 30 - 10
email info@sit-ventile.de
internet www.sit-ventile.de



tax ID DE 166 067 040

suitable for air and all neutral gases

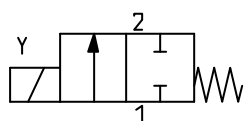
threads process connection G1/8 – G3/8
 nominal width 2.5 – 6 mm
 pressure range 0 – 500 bar
 pressure difference optional
 protection class IP00 (with apparatus plug IP65 EN 60529)
 solenoid coil as per DIN EN 173301-803 (prev. DIN 43 650)



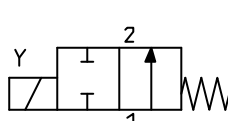
technical data

material	valve body	1.4305 (V2A) 1.4571 (V4A)
material	inner parts	1.4104/1.4305
sealing material	static	FPM (Viton)
	dynamic	Torlon
fitting position	as specified by customer (ideally vertical)	
operating cycles	240/min. (air)	

function 1
NC



function 2
NO



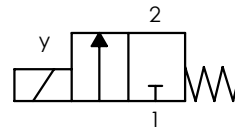
electrical data

input supply voltage	24 V DC 230 V 50/60 Hz
another input supply voltage on request	
power consumption	DC 30 Watt
electr. connection	tags 2-pin + grounding IP 00
connection by plug-in socket IP 65	
input supply voltage 230 V 50/60 Hz only with apparatus plug with integrated rectifier	
thermal class H	(180°) as per VDE580
on-time	100% duty ratio
perm. volt. fluctuation	± 10%
perm. frequency fluct.	± 5%

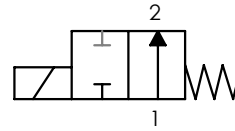
performance NC (positively controlled)

nominal width	KV factor	Q/Nn factor	pressure
mm	water m ³ /h	air l/min	max. bar
2.5	0.013	18	500
3.0	0.200	225	500
4.0	0.295	335	500
5.0	0.532	590	500
6.0	0.655	750	500

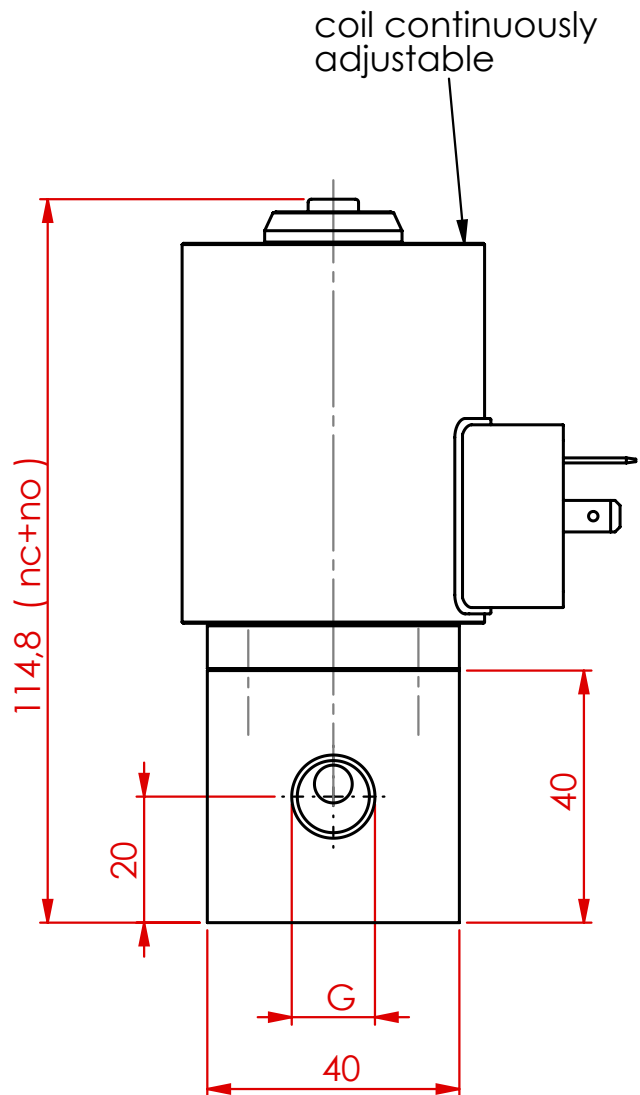
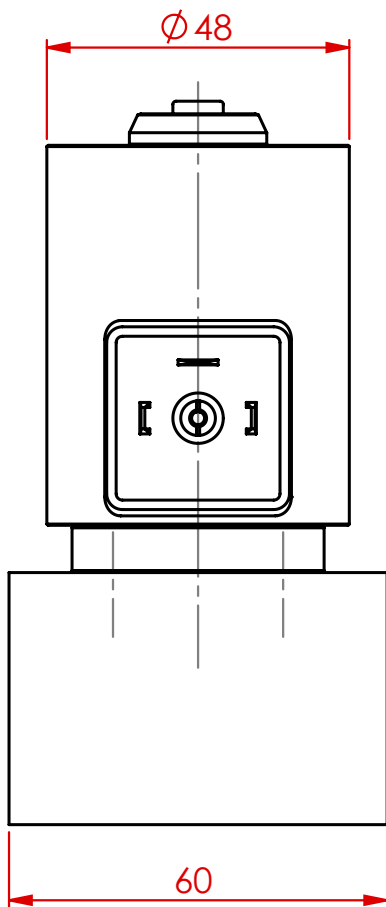
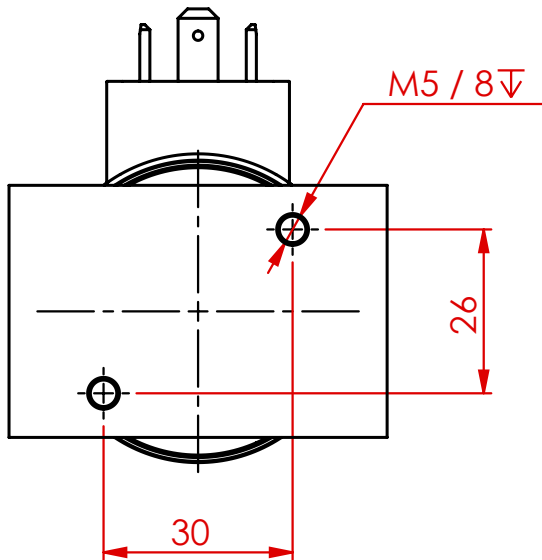
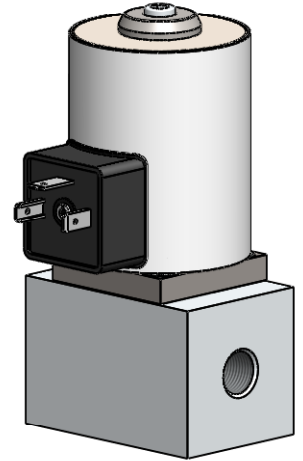
2/2 way valve



function 1 (nc)



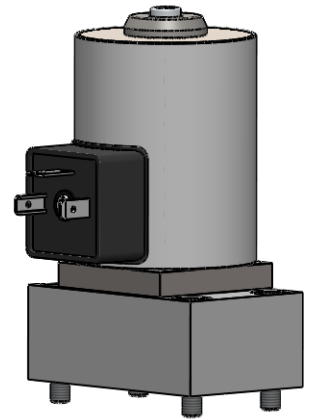
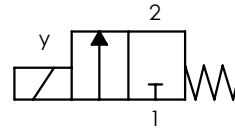
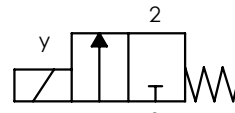
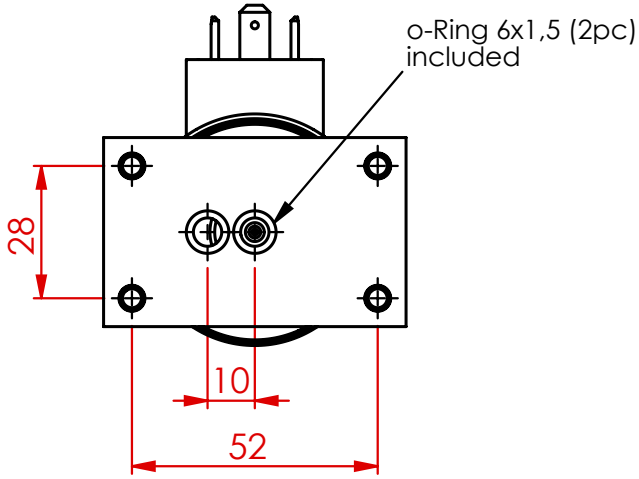
function 2 (no)



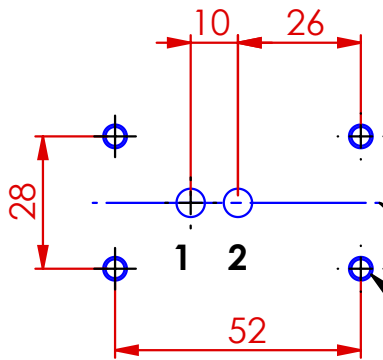
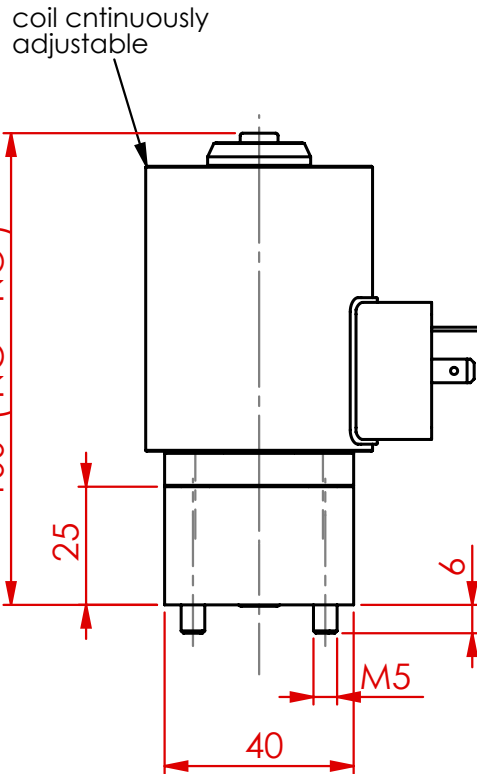
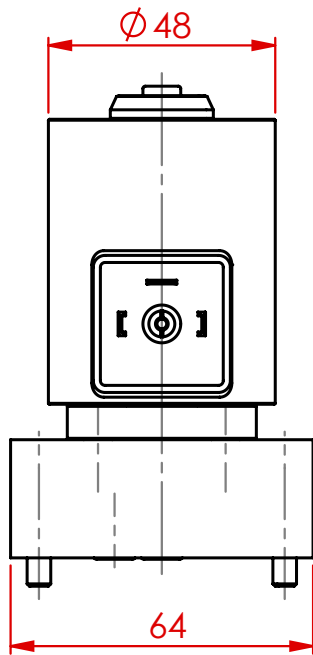
process connection G: G1/8 - G1/2

we can deliver customized valve bodies with integrated pipe connections, conical thread, metric thread as well as connections to your specific requirements.

2/2 way valve



hexagon socket head cap screw
M5x25 DIN 912 (4pc)
as well as lock washers included



drilling pattern counterflange

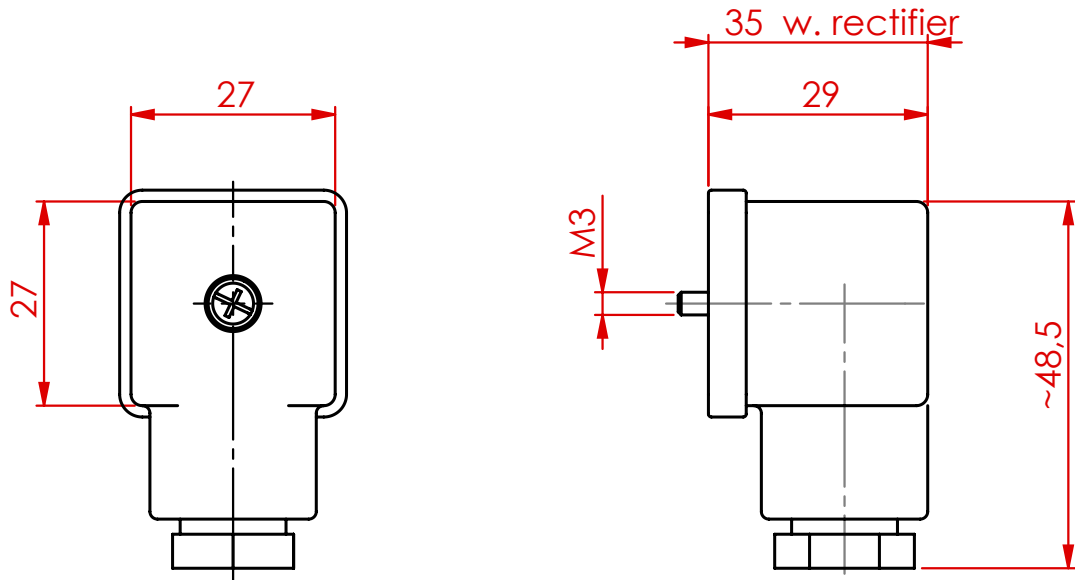
min. 50 with serial
assembly to next

M5 / thread depth
min. 8 mm

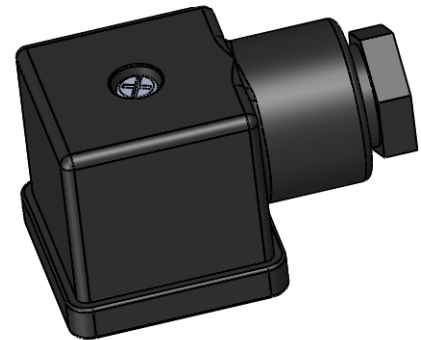
1 = pressure port
2 = control line

quality of surface
finish ensures
sealing with o-ring

Plug-In Sockets



Number of poles	2 + ground
Nominal voltage AC/DC	250 V/300 V
Nominal current	16 A
operating current	6 A
transient resistance	< 4mΩ
Wire cross-section	1,5 mm ²
Supressor circuit	none
Casing	Polyamide
Cable screw connection	M16x1,5
Cable diameter	4,5 - 7 mm
Protection	IP 65 to EN 60529 (befor DIN 40050)
Insulation	group C to VDE 110
Colour	black
Ambient temperature	- 10°C / + 60°C



ID-part :000.12.00021 f. AC with integrated rectifier
000.12.00022 AC/DC
000.12.00027 with LED f. 24 V DC

Without cable

product query

valve type

- 2/2 way valve directly controlled 2/2 way valve externally controlled
- 3/2 way valve directly controlled 3/2 way valve externally controlled
- NC NO alternate function 2 x pressure entry 1 x outlet

medium :

pressure range

bar : psi : delta p :

Viskosität

mm²/s : ° Engler : others :

flow rate

m³/h : l/min : others :

temperature

medium : ambiance :

material

casing : sealing :

process connection

threads connection : flange : others :

input supply voltage

AC : DC :

explosion-proof

no yes protection class :

amount :

delivery time :

special requirements :

title* :
forename* :
surname* :
company* :
street* :
zip code* :
town / city* :
country* :
email* :
phone :
fax :

comments :

send tofax: **0049 (0) 7946 91 30 10**

print