

# SIT

**Valve Technology**

**Walter Schumacher  
Impuls-Technik GmbH**

Reessweg 7

D-74626 Bretzfeld - Bitzfeld

**series 235 - 238**

phone +49 (0) 79 46 – 91 30 - 0  
fax +49 (0) 79 46 – 91 30 - 10  
email [info@sit-ventile.de](mailto:info@sit-ventile.de)  
internet [www.sit-ventile.de](http://www.sit-ventile.de)



tax ID DE 166 067 040

**suitable for all neutral gases and liquids up to 21mm/s viscosity max.**

threads process connection G1/8 – G1/2

nominal width 0,8 – 6 mm

pressure range 0 – 70 bar

pressure difference optional

**the valve are adapted to application :  
category 2G zone 1 and category 3G zone 2  
category 2D zone 21 and category 3D zone 22  
(medium and environment).**



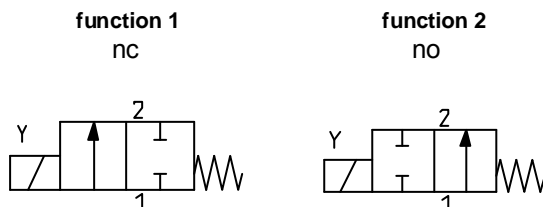
pic. series 237 valve block

**technical data**

material	valve body	brass 1.4305 (V2A) 1.4571 (V4A)
material	inner parts	1.4104/1.4305
sealing material	static	FPM (Viton)
	dynamic	FPM (Viton) PTFE (Teflon)
customized seal		on request
reference temperature		+ 50°C max.
fitting position		as specified by customer (ideally vertical)
operating cycles		240/min. (air)

**Electrical data**

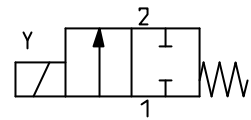
input supply voltage	24 V DC 230 V 50/60 Hz
another input supply voltage	on request
power consumption	DC 10 Watt
perm. volt. fluctuation	± 10%
perm. frequency fluct.	± 5%
on-time	100% duty ratio
insulation class	F as per EN 50019 chart 5
electrical connector	3 cable 000 mm



**valve blocks series 237** ( pic. ), valve blocks with 2 until 8 valve doable – dimension sheet on request

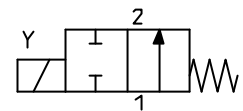
**valve banks series 238** ( valve banks with valve series 236 ) 2 until 8 valves doable – dimension sheet on request

**function 1 (nc)**



nominal width mm	KV-factor water m <sup>3</sup> /h	Q/Nn-factor air l/min	pressure max. bar
0,8	0,025	21	70
1,0	0,034	38	70
1,5	0,065	102	50
2,0	0,108	135	30
3,0	0,200	225	15
4,0 *	0,295	335	8
5,0	0,532	590	6
6,0	0,655	750	4

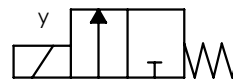
**function 2 (no)**



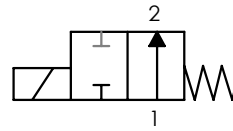
nominal width mm	KV-factor water m <sup>3</sup> /h	Q/Nn-factor air l/min	pressure max. bar
0,8	0,025	21	70
1,0	0,034	38	60
1,5	0,065	102	40
2,0	0,108	135	20
3,0	0,200	225	10
4,0 *	0,295	335	6
5,0	0,532	590	3
6,0	0,655	750	1

\* series 236 and 238 nominal width max.

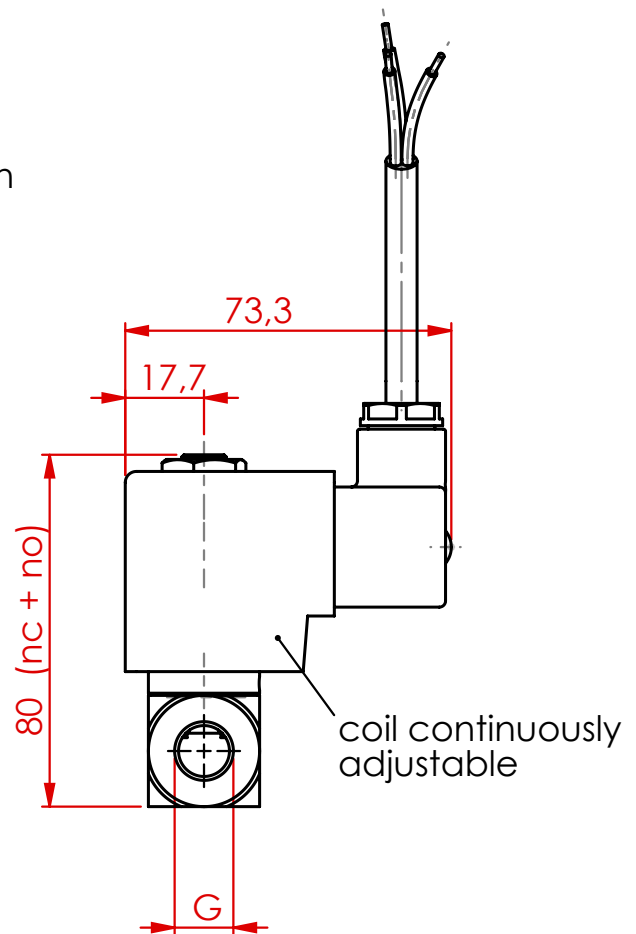
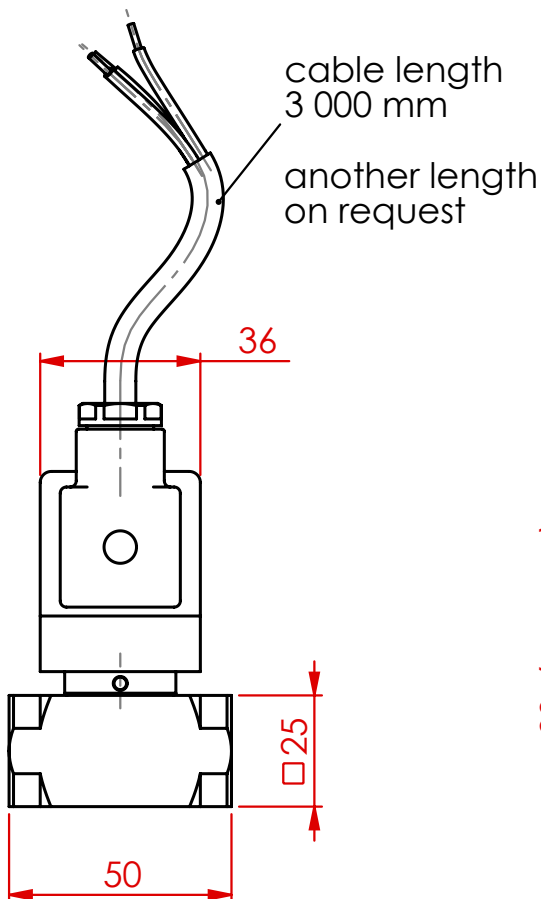
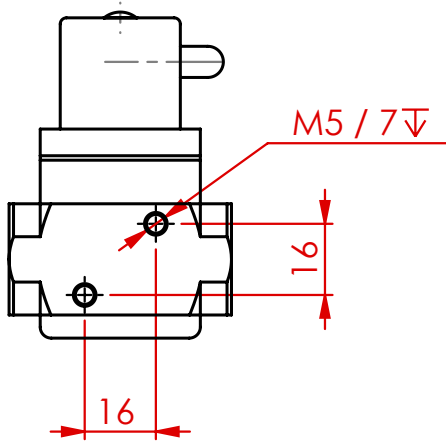
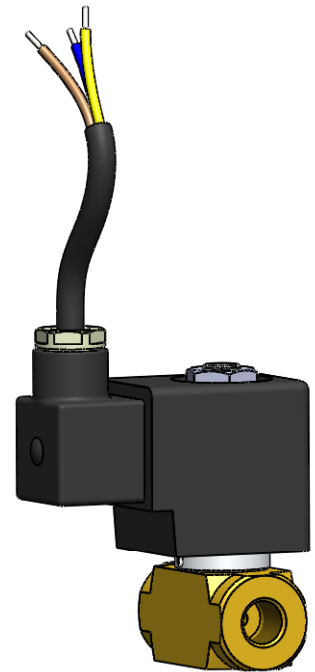
2/2 way valve Ex II G2 cT4



function 1 (nc)



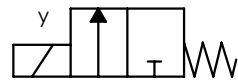
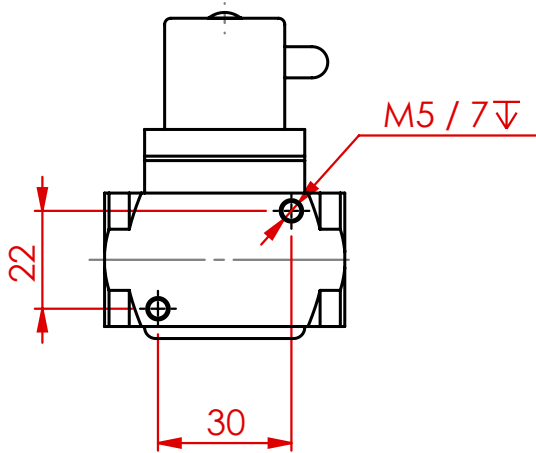
function 2 (no)



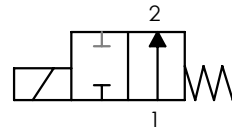
process connection G: 1/8 - G3/8

we can deliver customized valve bodies with integrated pipe connections, conical thread, metric thread as well as connections to your specific requirements

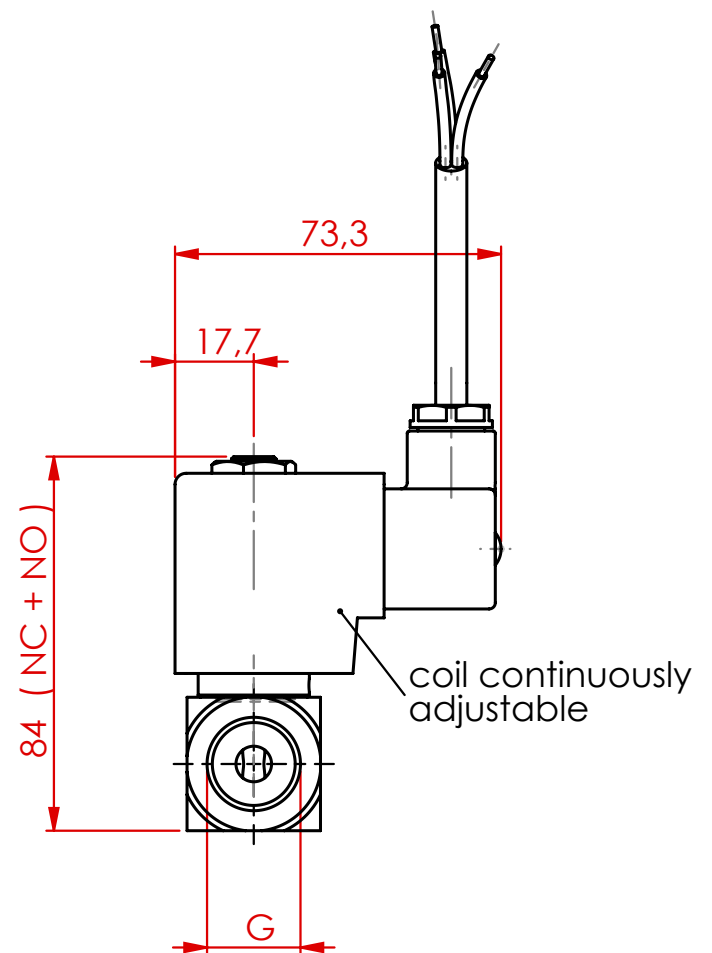
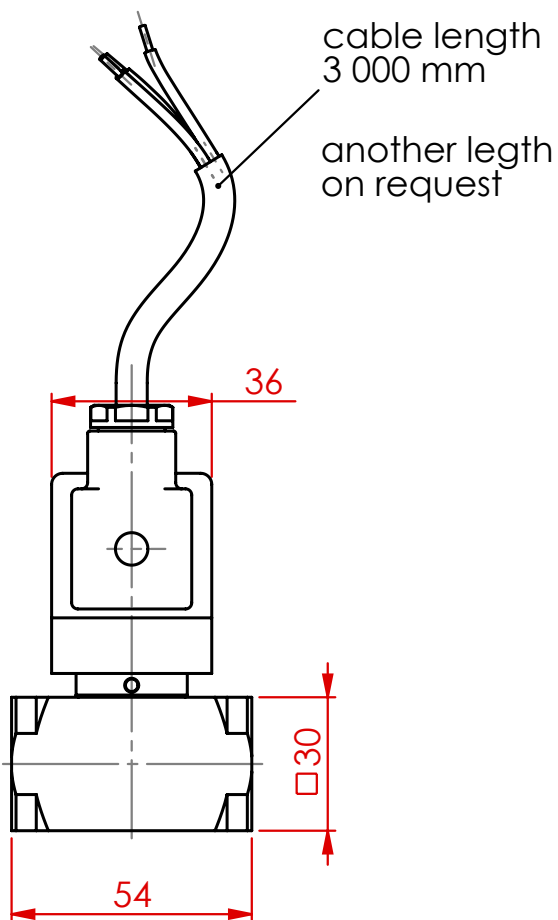
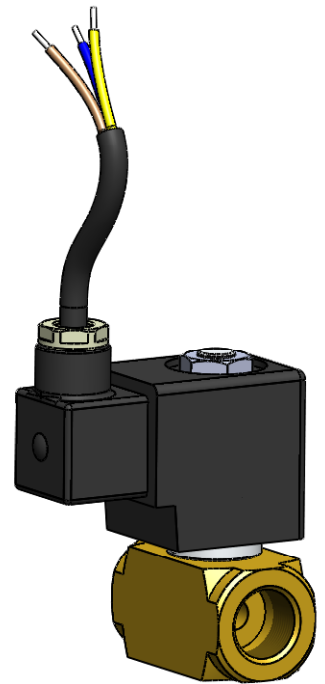
2/2 way valve **Ex II G2 cT4**  
 process connection G1/2



function 1 ( nc )

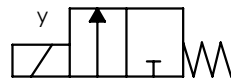


function 2 ( no )

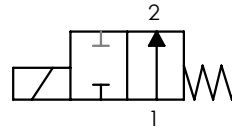


**we can deliver customized valve bodies with integrated pipe connections, conical thread, metric thread as well as connections to your specific requirements**

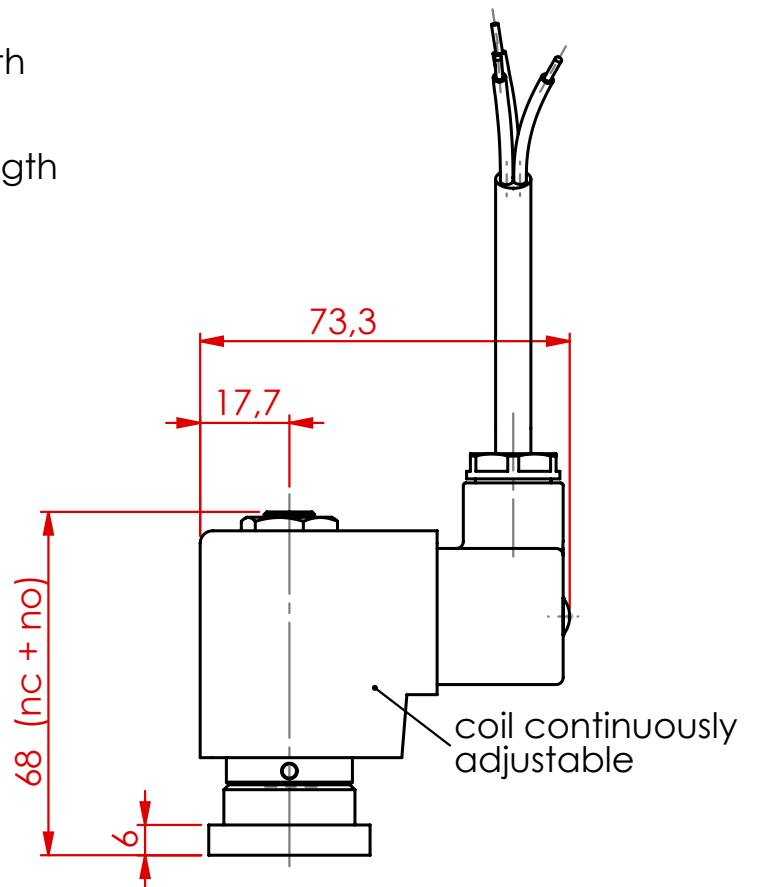
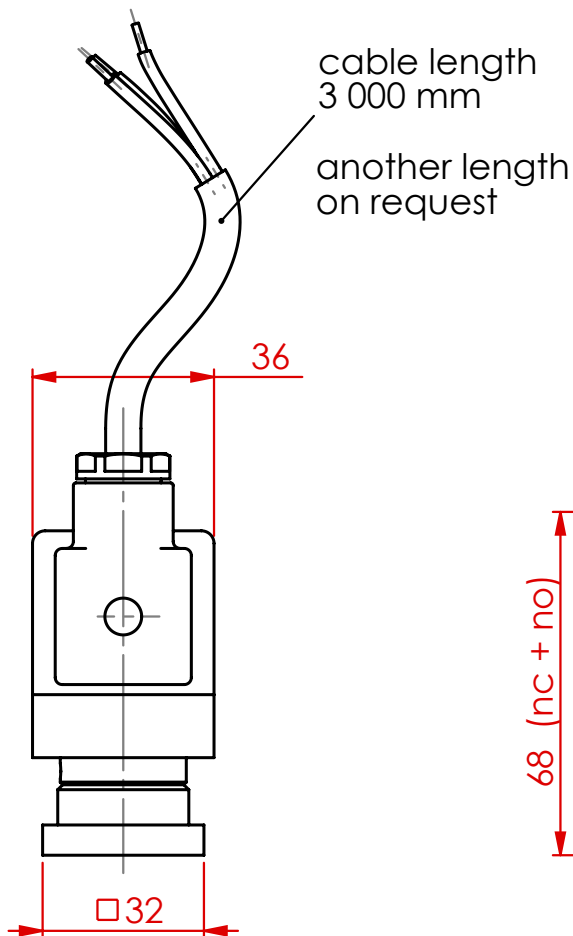
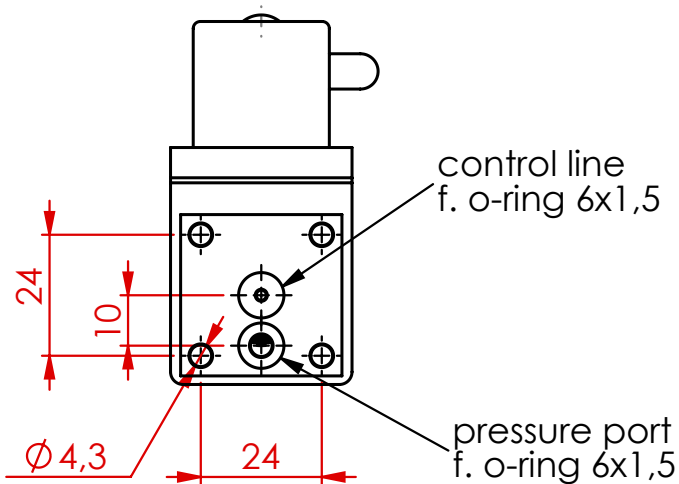
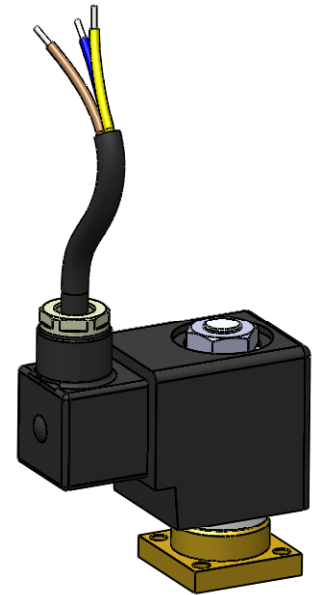
2/2 way valve **Ex II G2 cT4**  
 nominal width 0,8 - 4 mm



function 1 ( nc )



function 2 ( no )



process connection : flange 32x32

flange to your specific requirements on request

## product query

valve type

- 2/2 way valve directly controlled                       2/2 way valve externally controlled
- 3/2 way valve directly controlled                       3/2 way valve externally controlled
- NC                       NO                       alternate function                       2 x pressure entry 1 x outlet

medium :

pressure range

bar :    psi :    delta p :

Viskosität

mm<sup>2</sup>/s :    ° Engler :    others :

flow rate

m<sup>3</sup>/h :    l/min :    others :

temperature

medium :    ambiance :

material

casing :    sealing :

process connection

threads connection :    flange :    others :

input supply voltage

AC :    DC :

explosion-proof

no                       yes    protection class :

amount :

delivery time :

special requirements :

title\* :  
forename\* :  
surname\* :  
company\* :  
street\* :  
zip code\* :  
town / city\* :  
country\* :  
email\* :  
phone :  
fax :

comments :

send tofax: **0049 (0) 7946 91 30 10**

print